

Thank you for purchasing the MAXITA portable gilding press.
This manual describes its functions and effective operation methods in details.
Please read and understand all the contents and precautions of the manual beforehand to make sure that you could use it correctly.
Please keep the manual safe for future reference.

⚠ WARNINGS

1. It shall not be used by minors
2. It shall not be used after drinking or with violence
3. Check the surrounding environment before use to avoid scald or fire
4. It is forbidden to disassemble and refit the components of the equipment by yourself, otherwise it will lead to slight electric shock, fire, etc.
5. It is forbidden to clean and wipe the equipment during use with electricity on otherwise it will lead to electric shock, fire, etc.

! THE DO'S AND DON'TS FOR SAFE USE

Please observe the following precautions to avoid operation errors. Non-standard operation will not only damage product features and functions but also result in accidents. Hence, please use the product reasonably as required.

1. The product is designed for indoor use only. It is forbidden to store or use the product in any of the following places
 - ▲ Where there is liquid or splashing oil or gas
 - ▲ where there is heavy dust or corrosive gas
 - ▲ where there is vibration or great impact
 - ▲ where the temperature changes dramatically
 - ▲ where it freezes and condenses moisture
 - ▲ where the ground is uneven
2. Please use and store the equipment within the rated temperature and humidity range
3. Please use the product at the rated power supply
4. In order to facilitate heat dissipation, the machine should be placed in an independent space, and it is forbidden to fill the space around the machine
5. The temperature control preheating should be carried out for more than 20 minutes after plugging in and before the actual operation to ensure the correct temperature display
6. When cleaning, please wipe it with a soft cloth. Do not clean it with diluent, gasoline, alcohol and other liquids containing solvents, otherwise it will cause discoloration or deformation of the appearance
7. After hot pressing, the machine should be turned off immediately. It is forbidden to leave the machine alone at high temperature for a long time, otherwise it may easily lead to deformation of the body wood and fire.

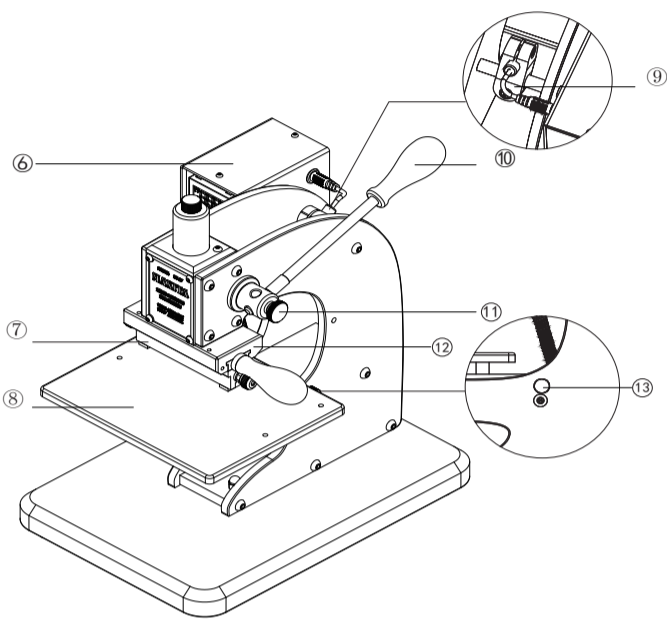
SPECIFICATIONS

Supply Voltage	220V AC	60Hz
Operating Voltage	85~110% of nominal voltage	
Ambient Temperature	-10~55°C <small>[avoid frosting or moisture condensation]</small>	
Ambient Humidity	25%~85% <small>[avoid frosting or moisture condensation]</small>	
Storage Temperature	-25~65°C	

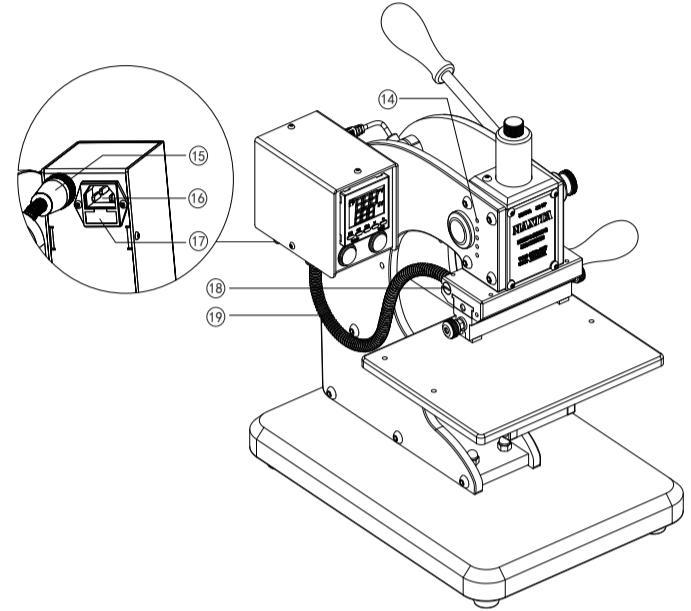
APPLICATION SCOPE

Functions: hot-stamping, pressing
Materials: leather, paper, PU, etc.

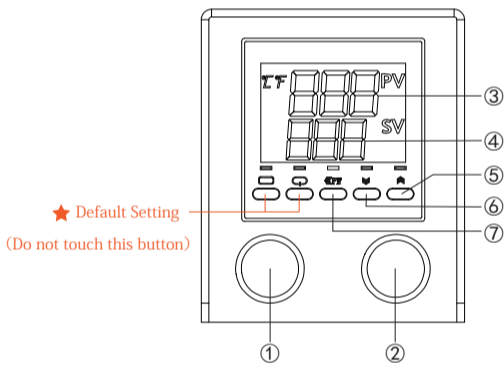
MACHINE BODY DIAGRAM



- ⑥ : Thermostat
- ⑦ : Removable mould and clamp
- ⑧ : Replaceable pressing plate
- ⑨ : Infrared fixed regulator
- ⑩ : Operating arm
- ⑪ : Operating arm lock screw
- ⑫ : Heating module
- ⑬ : Sliding pressing plate lock screw
- ⑭ : Operating arm angle adjustment pole
- ⑮ : Heating tube plug
- ⑯ : Power port
- ⑰ : Fuse holder [incl. backup fuse]
- ⑱ : Heating tube lock screw
- ⑲ : Heating tube kit



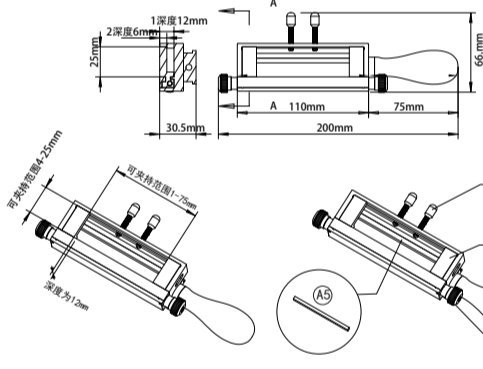
THERMOSTAT DIAGRAM



- ① : Switch
- ② : Infrared switch
- ③ : Real-time temperature display
- ④ : Set temperature display
- ⑤ : Adjust (+)
- ⑥ : Adjust (-)
- ⑦ : Temperature adjustment selection

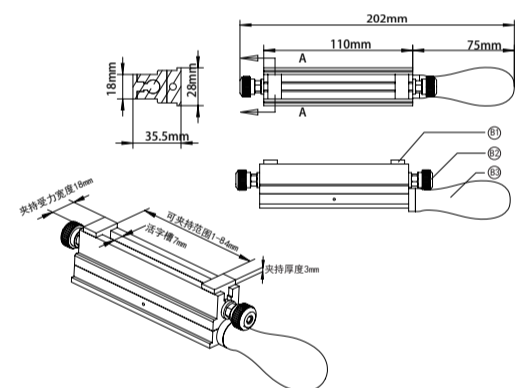
CLAMP DIAGRAM

【No. 1 Clamp】



- A1 : Vertical adjusting knob
- A2 : Clamping sliding block
- A3 : Anti-scald wooden handle [for both hands]
- A4 : Horizontal adjusting knob
- A5 : Multi-functional removable top plate
[the number can be adjusted according to the copper mould]

【No. 2 Clamp】



- B1 : Clamping sliding block
- B2 : Adjusting knob
- B3 : Anti-scald wooden handle [for both hands]

OPERATING INSTRUCTIONS

- ① : Switch
- ② : Infrared switch
- ③ : Real-time temperature display
- ④ : Set temperature display
- ⑤ : Adjust (+)
- ⑥ : Adjust (-)
- ⑦ : Temperature adjustment selection

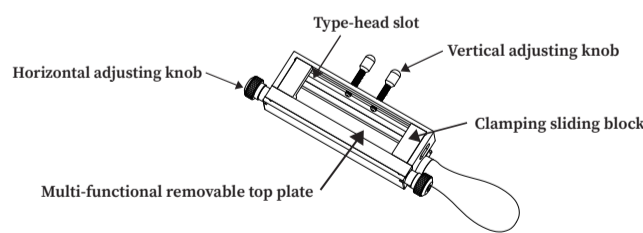
Thermostat operating procedure:

- Place the machine on the table, plug it in, press ① to turn it on, press it again to turn it off
- Press ② to turn on the infrared ray and press it again to turn it off
- ③ on the upper part of the temperature display indicates the real-time temperature, and ④ on the lower part indicates the set temperature

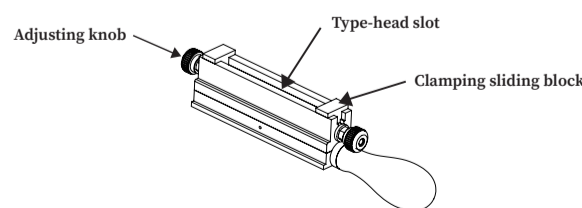
Temperature adjustment procedure:

- Step 1: gently press ⑦, and after the corresponding numbers blink, press ⑤ or ⑥ to set the ideal temperature
- Step 2: After setting the temperature, stop pressing the button 3 seconds after the numbers blink and the temperature is set
- Step 3: Put the clamp away and carry out hot pressing when ③ reaches the set temperature
[There may be an error of ±5°C between the real-time display temperature and the set temperature which is regarded as a normal phenomenon]

【No. 1 Clamp】

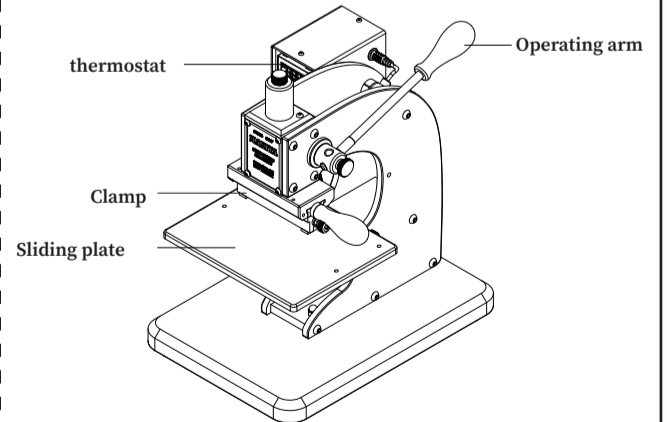


【No. 2 Clamp】



Mould installation procedure:

- As needed-twisting the horizontal or vertical adjusting knob to put the clamping sliding block and the top plate in the proper place
- Put the mould inside the typehead slot, tighten the knob, and put it inside where the clamp is to finish the installation



Hot pressing procedure:

- Gently press the switch to turn it on and switch on the infrared ray if necessary
- Put the clamp installed with type-head on the clamp place of the machine
- Adjust the temperature as needed
- Put the material needing hot pressing on the sliding plate and fasten it in a proper way
- Check if the operating arm is placed in the hole. When all is set, press the operating arm to finish the hot pressing